

1.27mm(.050") Wire To Board Connector



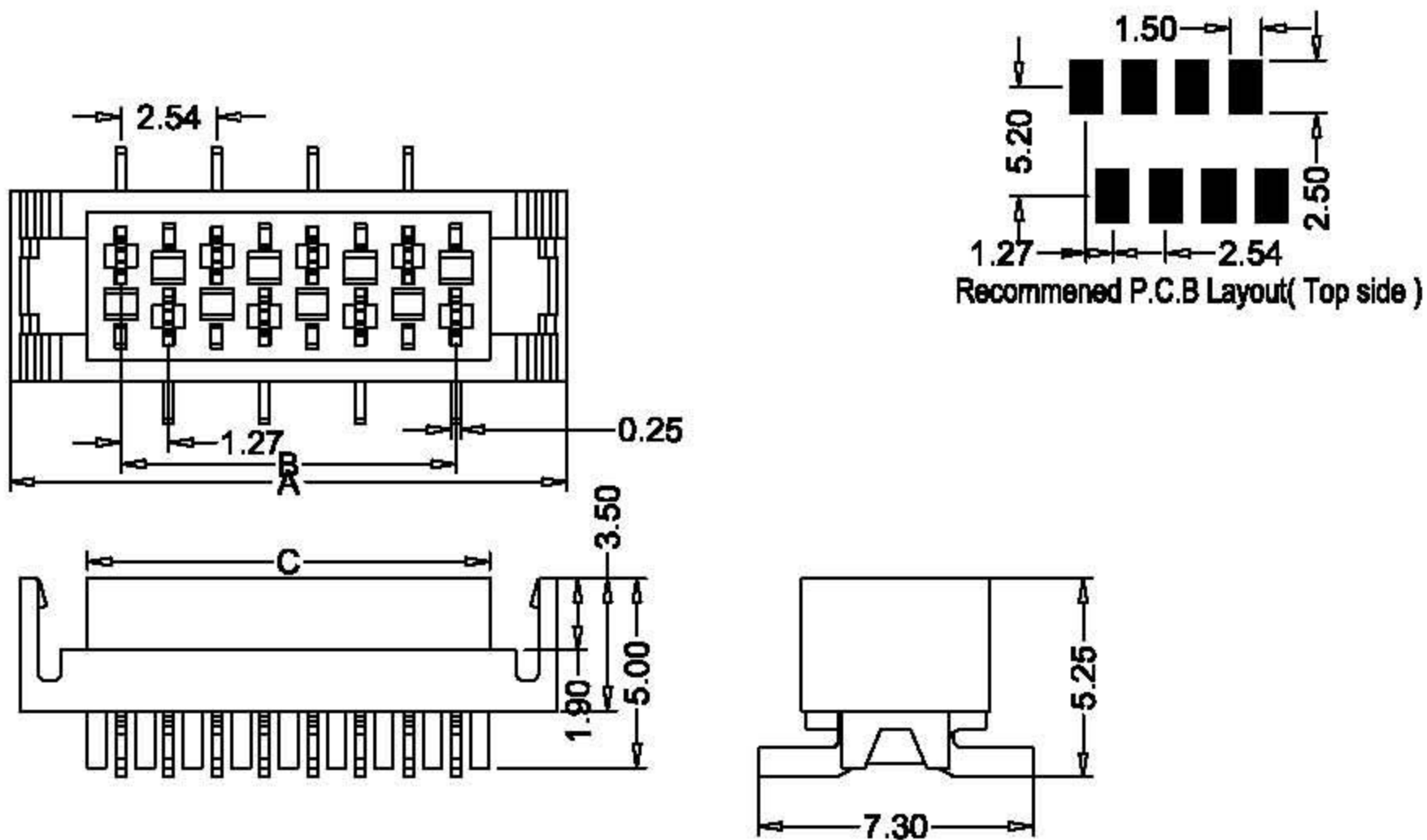
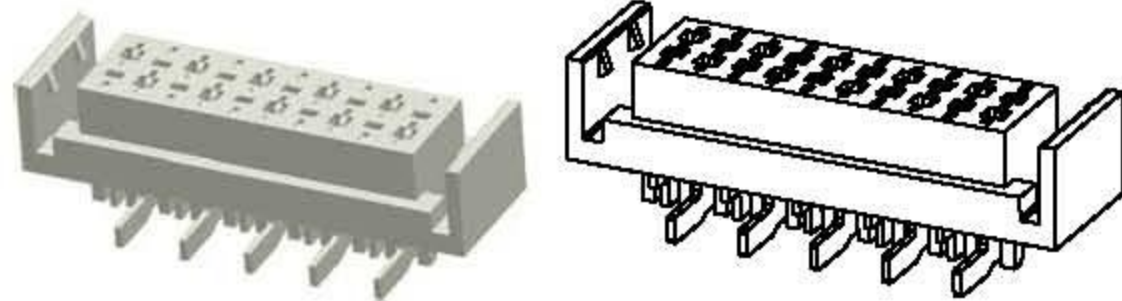
Connector & Terminal

Shenzhen Hongru Connector Co., Ltd

SPECIFICATIONS:

- Current Rating:1AAC,DC
- Voltage Rating:100V AC,DC
- Operating Temperature:-40℃~+105℃
- Contact Resistance:10mΩ max.
- Insulation Resistance:1000MΩ Min.
- Withstanding Voltage:500V AC/minute
- Wire Size:AWG#28
- MATERIAL
- Housing: PA46(red) UL94V-0
- Male Contact:Phosphor bronze
- Finish:Tin Over nickel plated

Email:yukyli@hrb-connector.com
 Tel: 086(0755)27096669
 Skype: haiyuncheng-vivian
 Mobile(whatsapp): 086-186 8112 3590
 Website: http://www.hrb-connector.com



Ordering Information And Dimensions

Part NO.		Dimensions			Part NO.		Dimensions		
TYP UL94V-0	Circuits	Dim:A	Dim:B	Dim:C	TYP UL94V-0	Circuits	Dim:A	Dim:B	Dim:C
M25484R-2x2	4	9.70	3.81	5.60	M25484R-2x8	16	24.94	19.05	20.84
M25484R-2x3	6	12.24	6.35	8.14	M25484R-2x9	18	27.48	21.59	23.38
M25484R-2x4	8	14.78	8.89	10.68	M25484R-2x10	20	30.02	24.13	25.92
M25484R-2x5	10	17.32	11.43	13.22	M25484R-2x11	22	32.56	26.67	28.46
M25484R-2x6	12	19.86	13.97	15.76	M25484R-2x12	24	35.10	29.21	31.00
M25484R-2x7	14	22.40	16.51	18.30					

